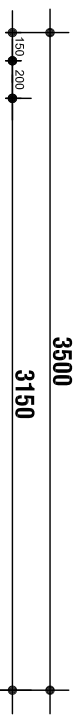
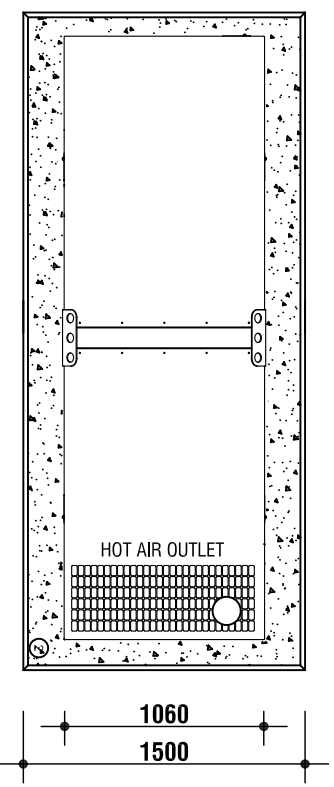
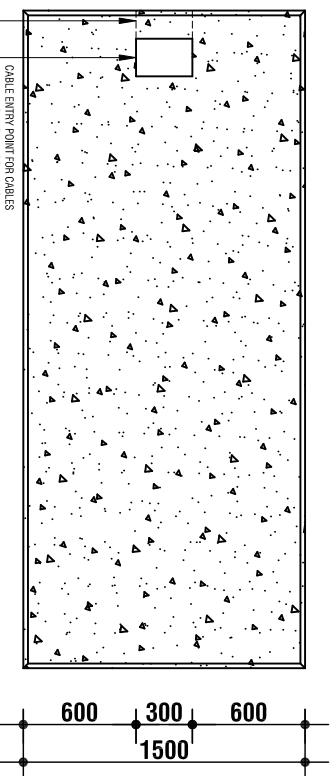


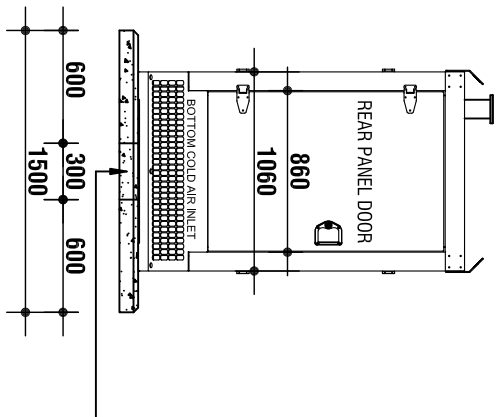
**SLAB PROFILE**



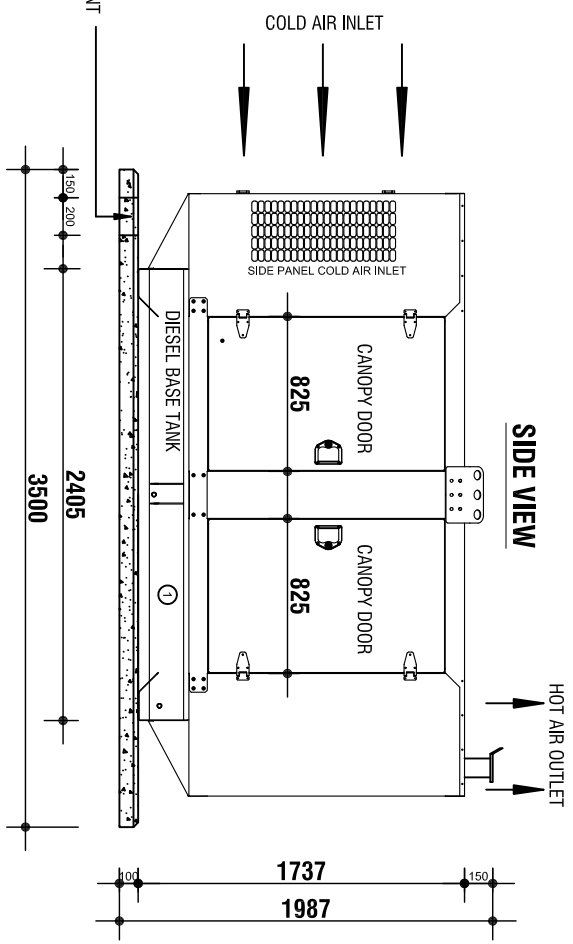
**TOP VIEW**



**REAR VIEW**



**SIDE VIEW**



32 RADIO RD  
ALBERTON NORTH  
ALBERTON  
1456  
POSTNET 32  
PO BOX 92418  
NORWOOD  
2117  
TEL:011 827 9420

THIS DRAWING AND DESIGN IS THE PROPERTY OF ENGINECO (PTY) LTD AND MAY NOT BE COPIED OR REPRODUCED WITHOUT THE PERMISSION OF ENGINECO (PTY) LTD

- NOTES**
1. DIESEL BASE TANK  
~ 120KVA 500L
  2. CONCRETE  
~ MINIMUM 25MPA @100MM
  3. CANOPY COLOUR  
□ STANDARD (ANVIL GREY)  
□ TO BE ADVISED BY CLIENT

PROJECT:		ENGINECO	
DRAWING TITLE:		120KVA CANOPY S&W GENERATOR	
DRAWN BY:	JOB NO.:	REVISION:	
M.MUNHARDT		0	
SCALE:	DATE:		
SCALE: 1/300 @A4	2020-02-05		