

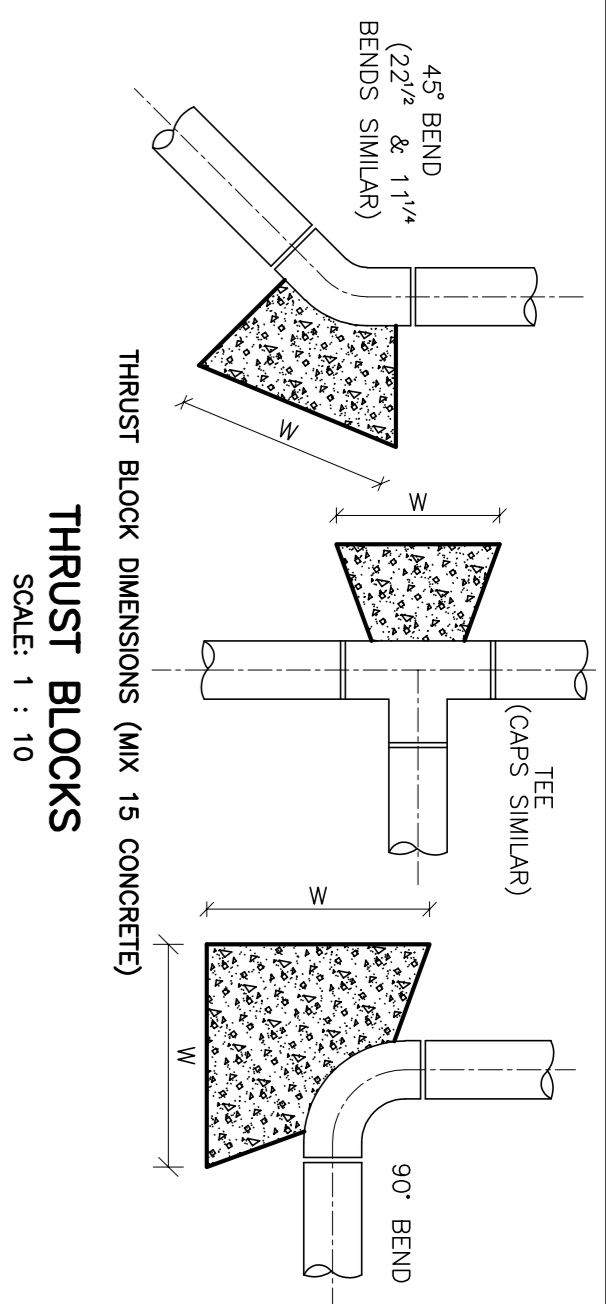
THIS DRAWING AND DESIGN ARE CONFIDENTIAL AND THE PROTECTED TO KANTEY & TEMPLER AND REPRODUCED IN WHOLE OR IN PART WITHOUT THE WRITTEN PERMISSION OF KANTEY & TEMPLER.

- GENERAL NOTES
1. ALL DIMENSIONS TO BE CHECKED ON SITE BEFORE ANY WORK COMMENCES.
 2. ALL WORKMANSHIP ARE TO BE IN ACCORDANCE WITH THE LATEST EDITION OF THE STANDARDIZED SPECIFICATION, SABS 1200 AND THE STANDARDS REFERRED TO THEREIN.

1:3 CEMENT MORTAR (60mm THICK - MINIMUM)

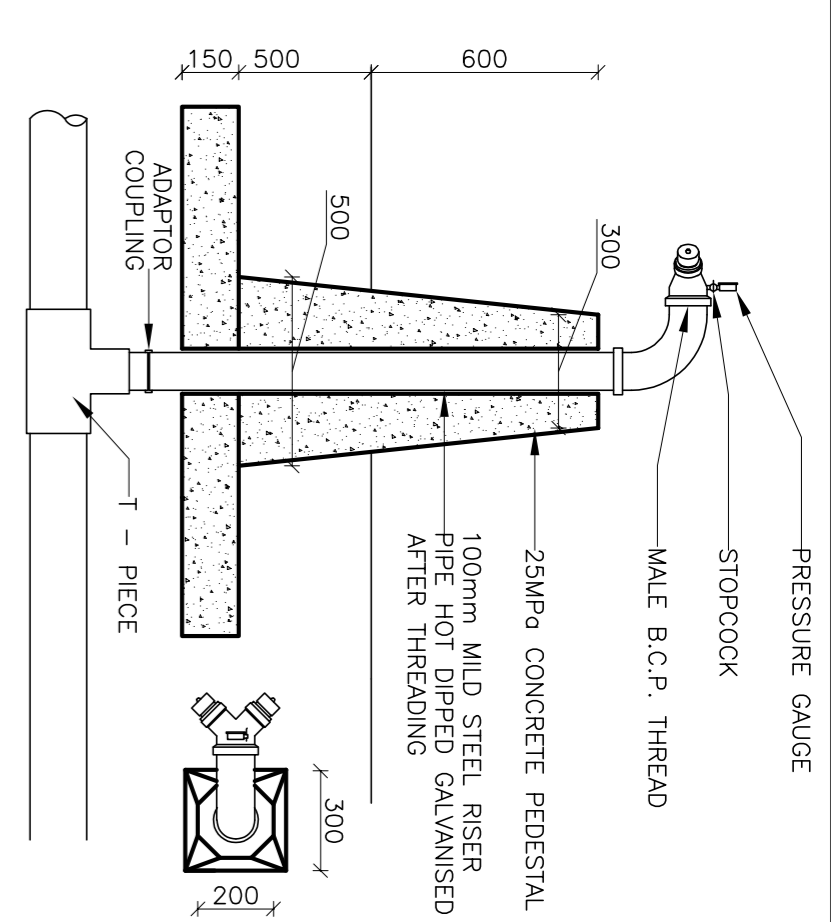
THRUST BLOCK DIMENSIONS (MIX 15 CONCRETE)

THRUST BLOCK DIMENSIONS (MIX 15 CONCRETE)	PIPE DIA. (d) mm	50	75	100	125	150	200	250	300
FOR BENDS & TEES:	DEPTH (d ₁) mm	170	235	340	425	510	680	850	1020
WIDTH (w) mm	230	345	460	575	690	920	1150	1380	
DEPTH (d ₂) mm	185	275	460	550	735	920	1100		
45° BEND	22%	95	140	185	230	370	460	550	
11¼° BEND	11¼%	50	70	95	115	140	185	275	
FOR GATE VALVES:	BLOCK DEPTH (d ₂) mm	100	150	250	350	450	600	700	900
KEY DEPTH (d ₃) mm	100	150	150	150	150	150	200	250	300



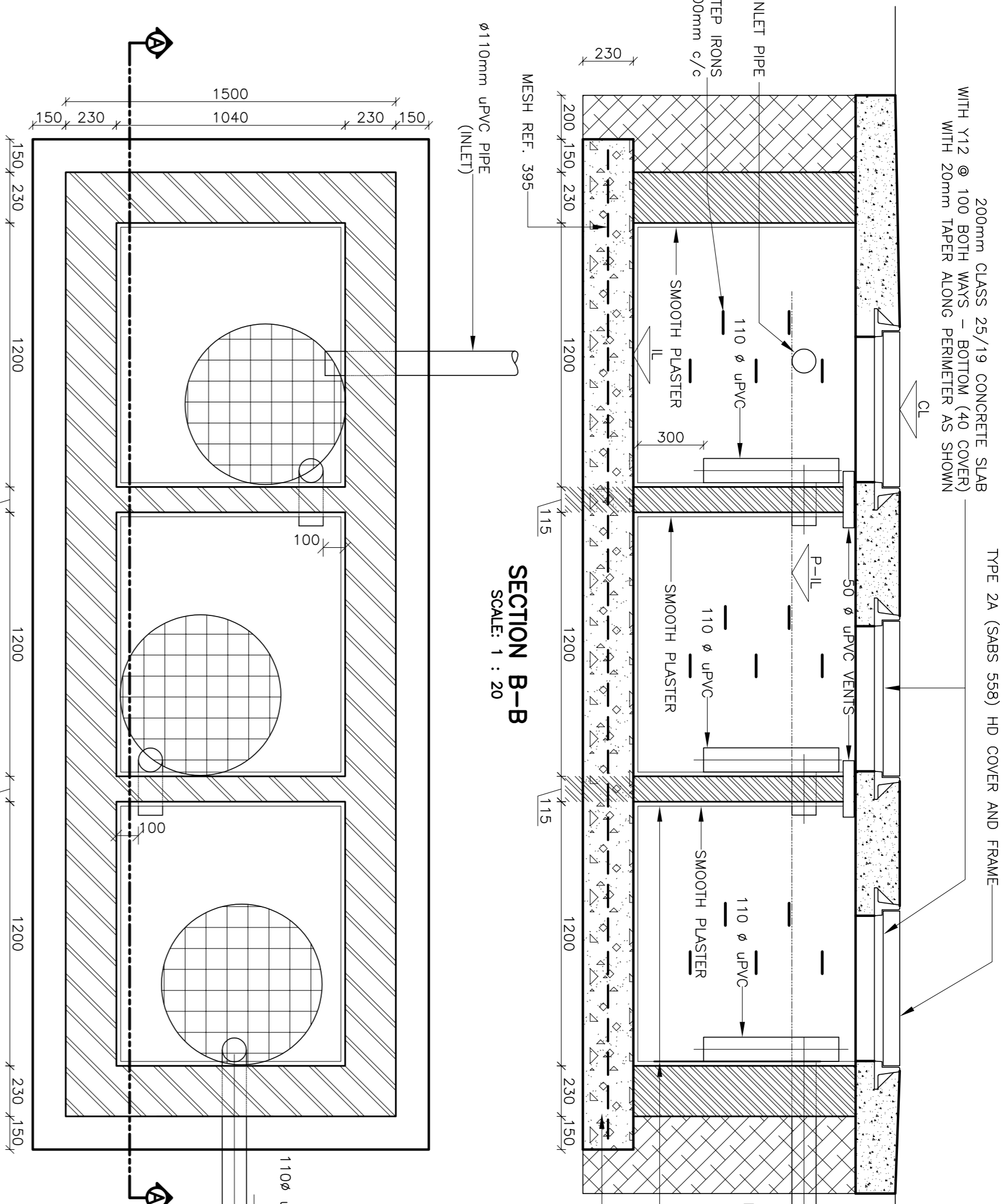
THRUST BLOCKS
SCALE: 1 : 10

DOUBLE HEADED BOOSTER CONNECTOR
SCALE: 1 : 20

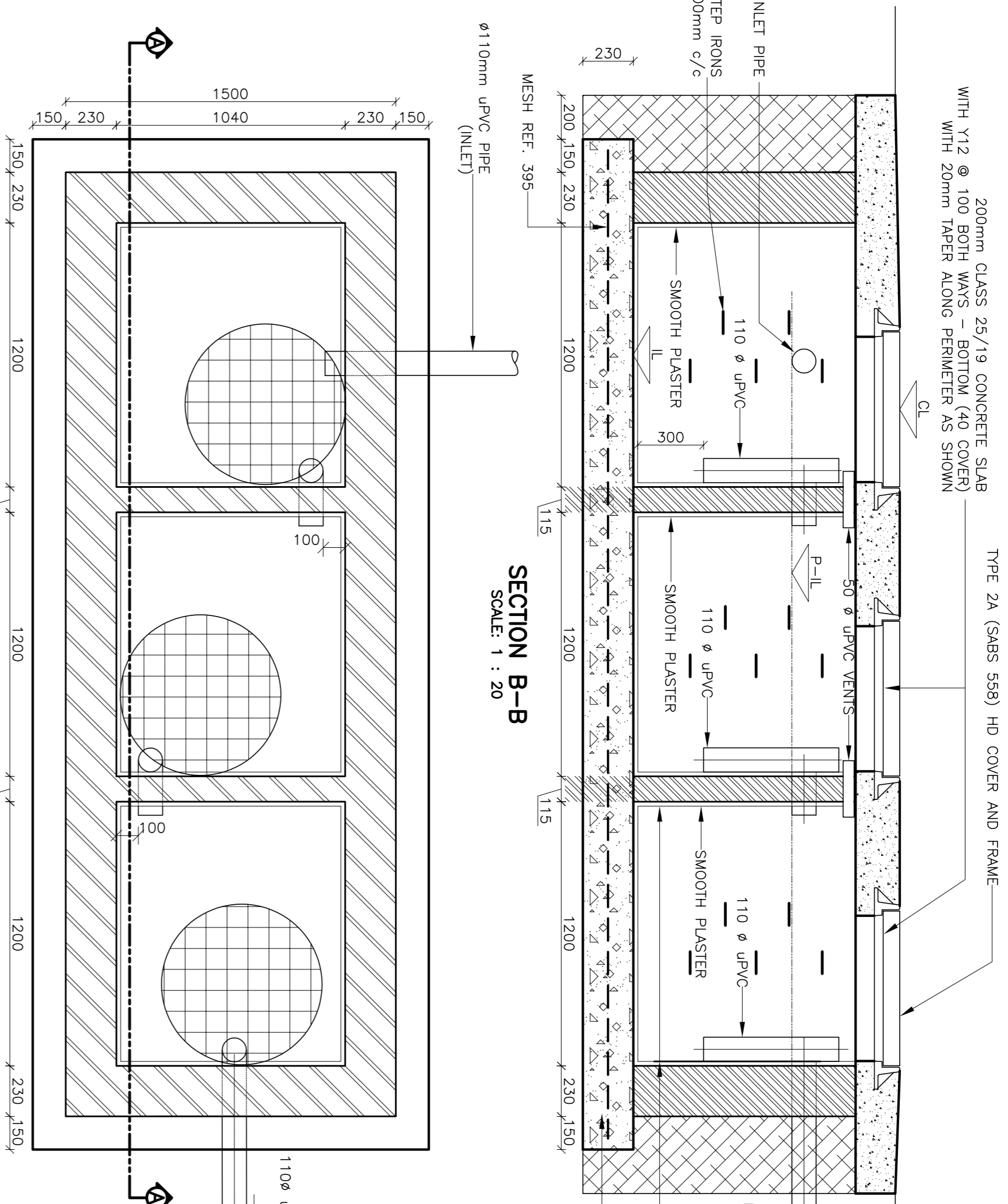


DOUBLE HEADED BOOSTER CONNECTOR
SCALE: 1 : 20

SECTION B-B
SCALE: 1 : 20

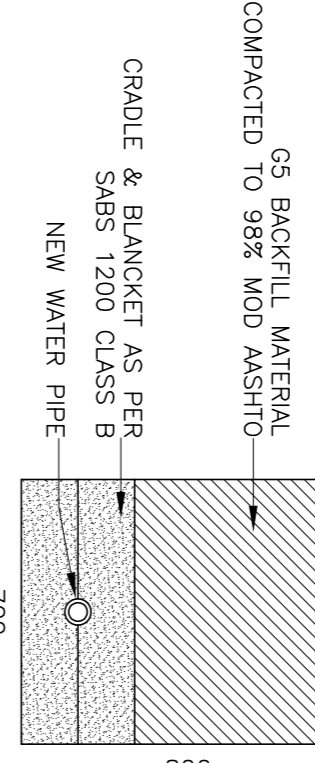


PLAN LAYOUT OF SEPARATOR
SCALE: 1 : 20



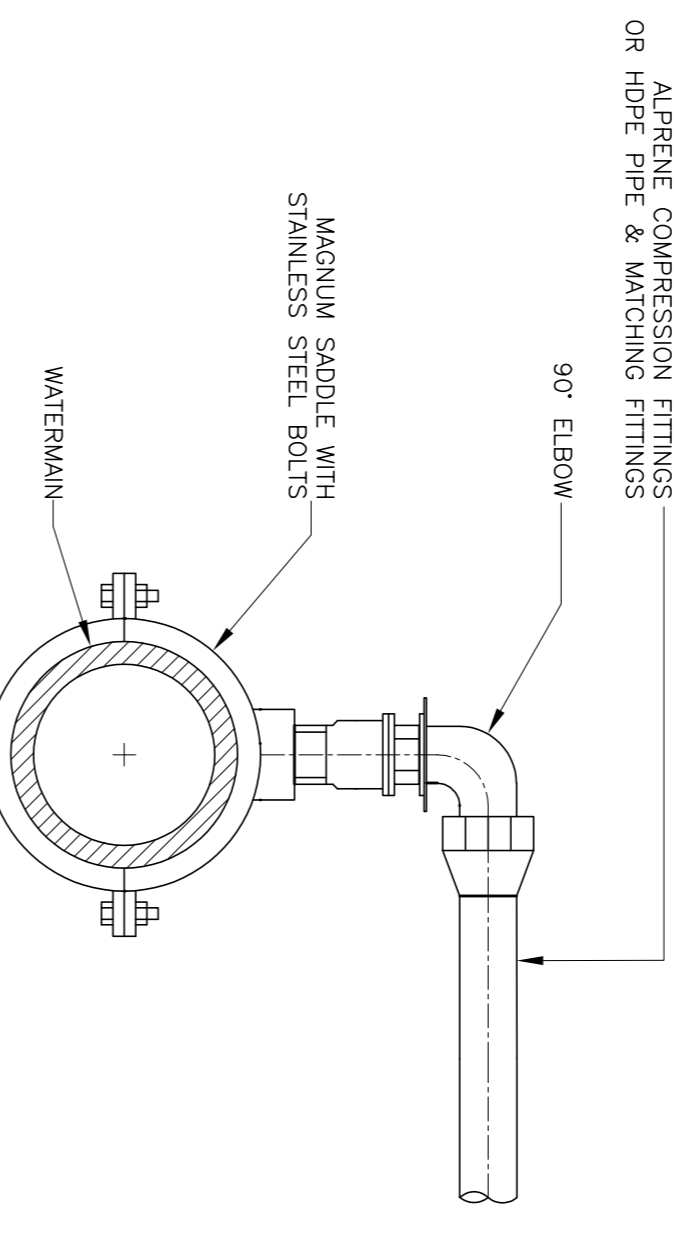
PLAN LAYOUT OF SEPARATOR
SCALE: 1 : 20

TYPICAL SECTION THROUGH NEW WATER LINE
SCALE: 1 : 20

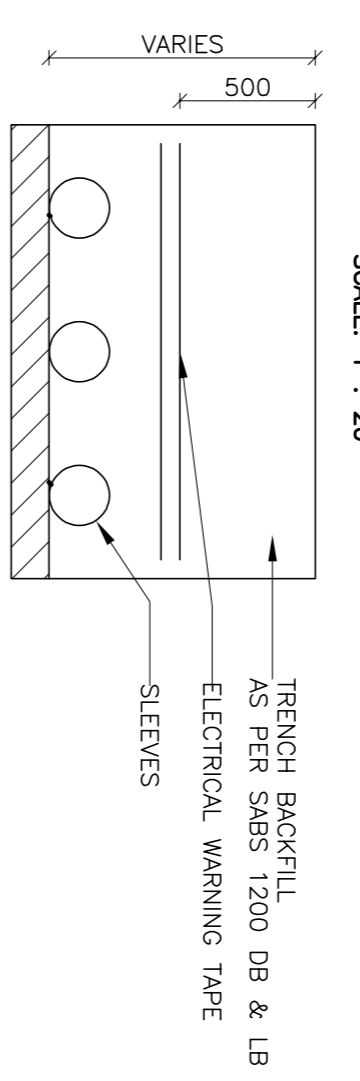


TYPICAL SECTION THROUGH NEW WATER LINE
SCALE: 1 : 20

TYPICAL DETAILS FOR WATER MAINS
CONSULT PRODUCT SPECIFICATIONS FOR REQUIREMENTS
SCALE: 1 : 5

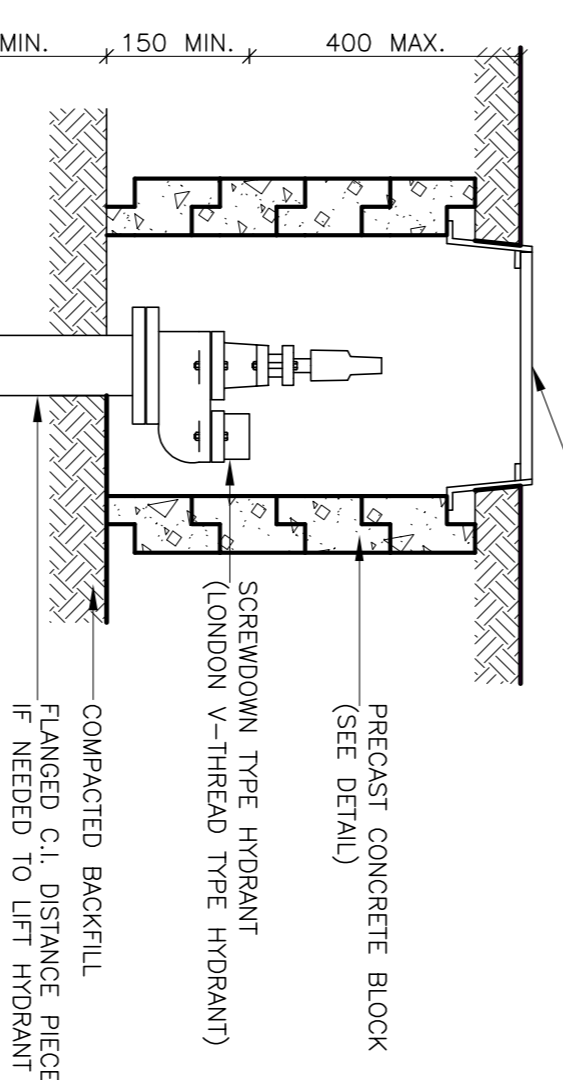


TYPICAL SLEEVE ARRANGEMENT FOR ELECTRICAL CABLES
SCALE: 1 : 20



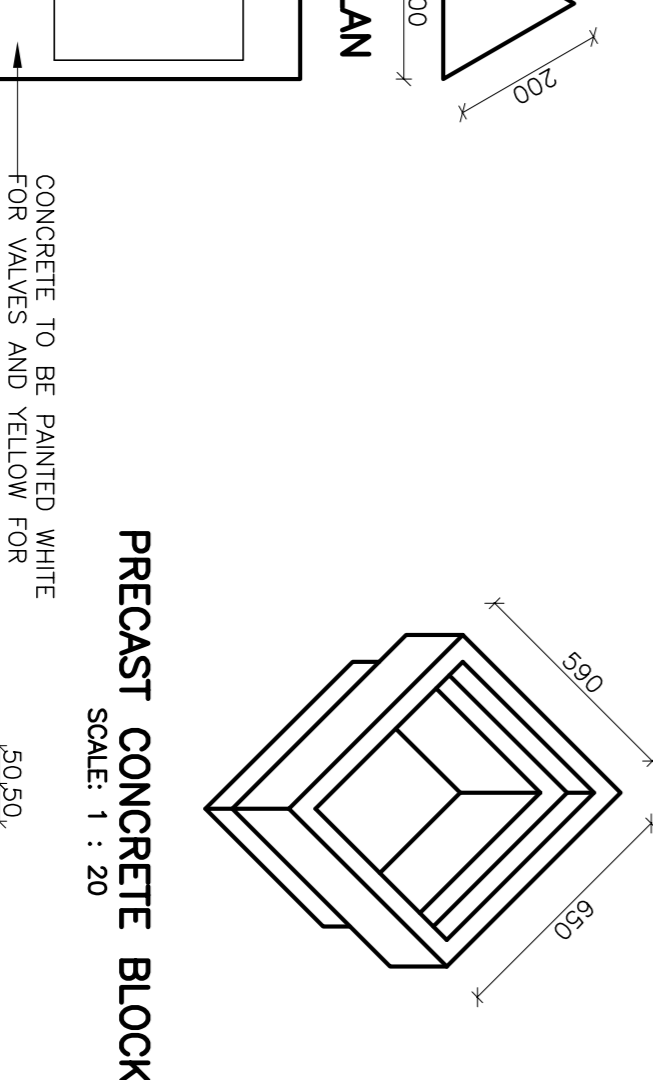
TYPICAL SLEEVE ARRANGEMENT FOR ELECTRICAL CABLES
SCALE: 1 : 20

SADDLE DETAIL
SCALE: 1 : 10



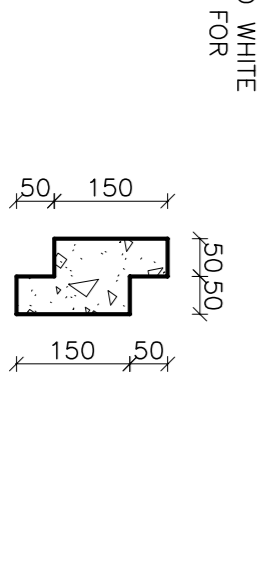
SADDLE DETAIL
SCALE: 1 : 10

FIRE HYDRANT CHAMBER
SCALE: 1 : 10



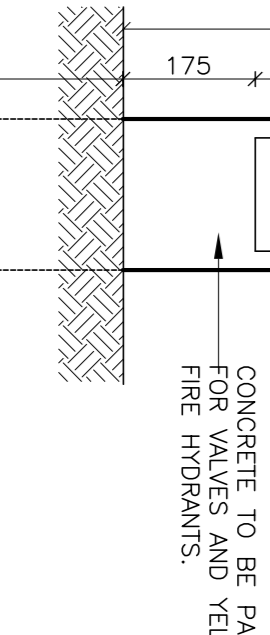
FIRE HYDRANT CHAMBER
SCALE: 1 : 10

PRECAST CONCRETE BLOCK
SCALE: 1 : 20



PRECAST CONCRETE BLOCK
SCALE: 1 : 20

SECTION THROUGH PRECAST CONCRETE BLOCK
SCALE: 1 : 10



SECTION THROUGH PRECAST CONCRETE BLOCK
SCALE: 1 : 10

WATER PIPE SPECIALS

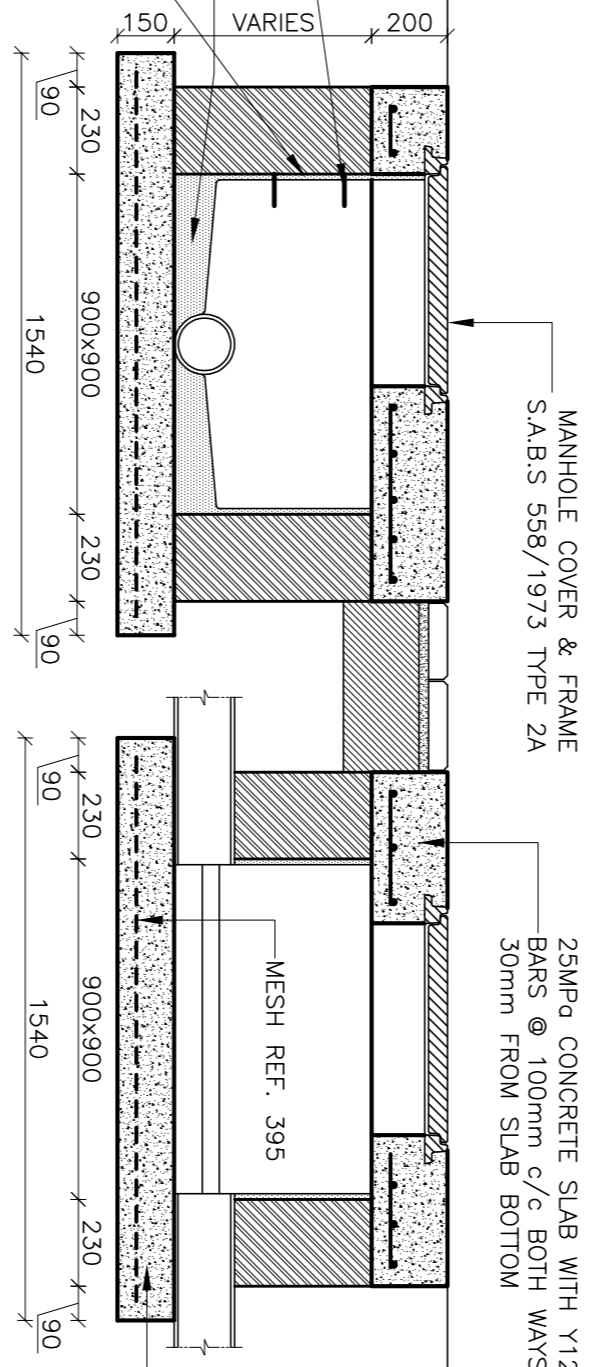
NAME	No.	DESCRIPTION
A	1	75ø UPVC CLASS 12 PIPE
B	1	80ø x 50ø REDUCER ONE END FLANGED
C	2	50ø ALVANGER DISTANCE PIECE
D	2	50ø ALVANGER DISTANCE PIECE
E	2	50ø ALVANGER DISTANCE PIECE
F	1	50ø AVK FLANGED STRAINER
G	1	50ø WATER METER (Ester Kent H4000)
H	1	50ø x 80ø REDUCER BOTH ENDS FLANGED
I	1	80ø AVK TYPED GATE VALVE
J	1	80ø AVK TYPED GATE VALVE
K	1	80ø NRV (AVK SWING VALVE, CLOSED BUSINESS)
L	1	80ø DISTANCE PIECE WITH PUDDLE
M	1	50ø STEEL TO UPVC ADAPTOR

WATER PIPE SPECIALS

- WATER NOTES**
1. STEEL FABRICATED ITEMS TO BE HOT DIP GALVANIZED.
 2. ALL DISTANCE PIECES TO BE SIZED & FITTED ON SITE.
 3. MINIMUM COVER TO UNDER PIPES TO BE 150mm.
 4. INTERNAL WALLS TO BE PLASTERED SMOOTH.

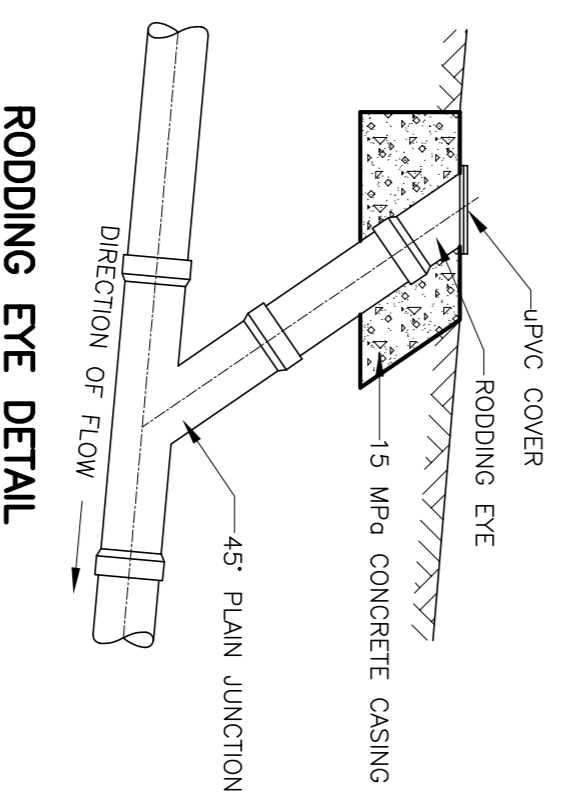
- WATER NOTES**
1. STEEL FABRICATED ITEMS TO BE HOT DIP GALVANIZED.
 2. ALL DISTANCE PIECES TO BE SIZED & FITTED ON SITE.
 3. MINIMUM COVER TO UNDER PIPES TO BE 150mm.
 4. INTERNAL WALLS TO BE PLASTERED SMOOTH.

TYPICAL SEWER MANHOLE
SCALE: 1 : 20



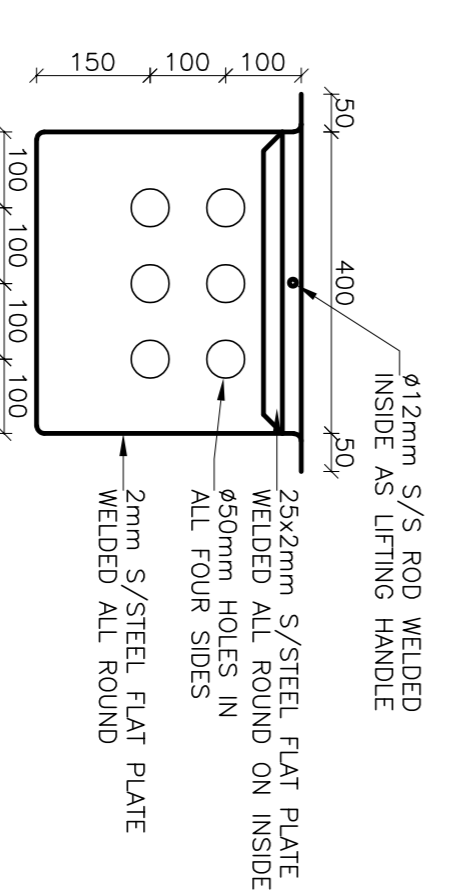
TYPICAL SEWER MANHOLE
SCALE: 1 : 20

RODDING EYE DETAIL
SCALE: 1 : 20



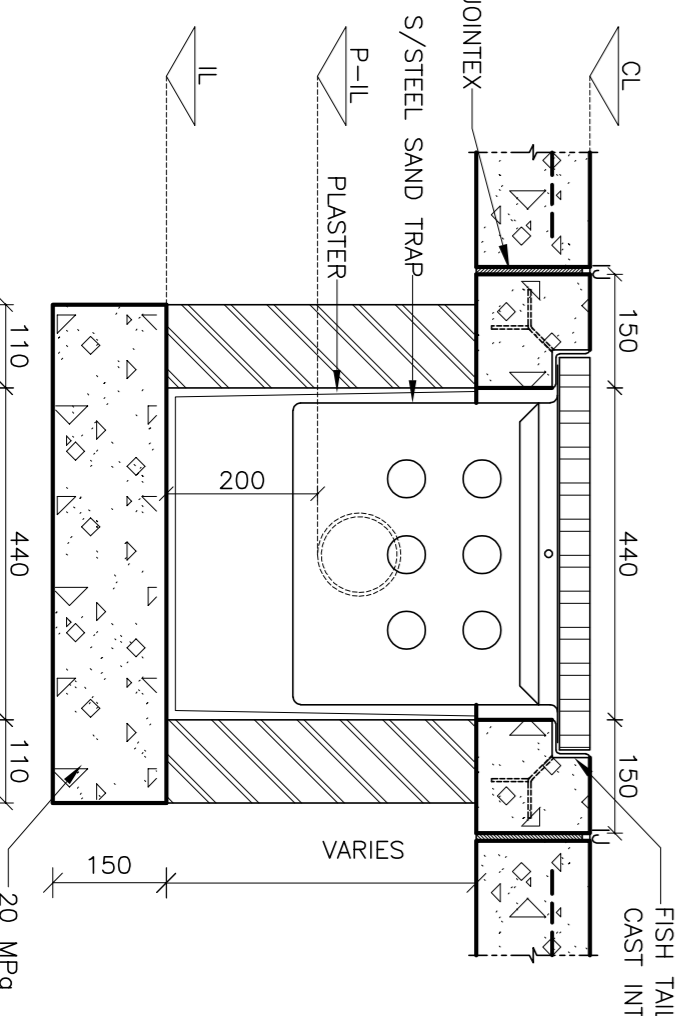
RODDING EYE DETAIL
SCALE: 1 : 20

SAND TRAP DETAIL
SCALE: 1 : 10



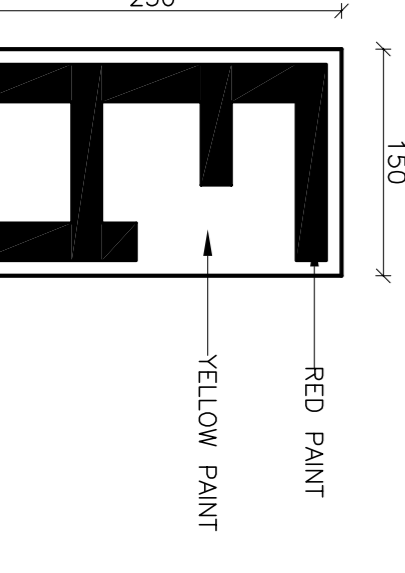
SAND TRAP DETAIL
SCALE: 1 : 10

TYPICAL SECTION THROUGH CATCHPIT
SCALE: 1 : 10



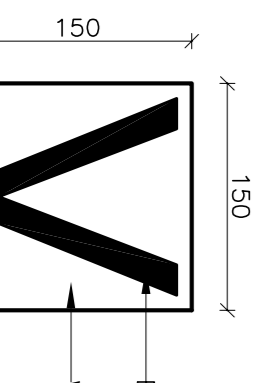
TYPICAL SECTION THROUGH CATCHPIT
SCALE: 1 : 10

FIRE HYDRANT MARKING
SCALE: 1 : 5



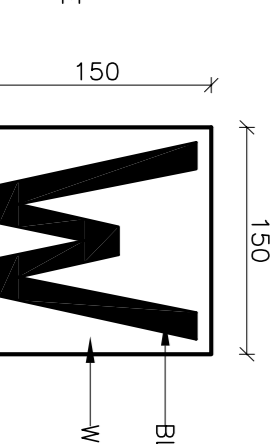
FIRE HYDRANT MARKING
SCALE: 1 : 5

VALVE MARKING
SCALE: 1 : 5



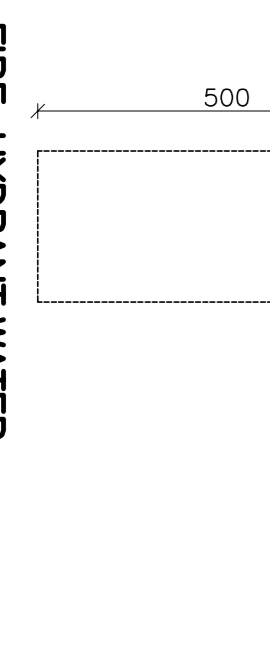
VALVE MARKING
SCALE: 1 : 5

WATER PIPE MARKING
SCALE: 1 : 5



WATER PIPE MARKING
SCALE: 1 : 5

FIRE HYDRANT WATER PIPE & GATE VALVE MARKER POLES
SCALE: 1 : 10



FIRE HYDRANT WATER PIPE & GATE VALVE MARKER POLES
SCALE: 1 : 10



KANTEY & TEMPLER
CONSULTING ENGINEERS
Engineering & Construction Development
P O BOX 458 GEORGE SOUTH AFRICA 6520 TEL: +27 44 824 2177

No.	DESCRIPTION	DATE	APP.
A	ISSUE FOR TENDER	30-03-22	NA
DESIGNED	T.H	30-Mar-22	
DRAWN	T.H	30-Mar-22	
PROJECT ENG.	C.G.A	30-Mar-22	
APPROVED	C.G.A	30-Mar-22	

CLIENT
Garden Route
DISTRICT MUNICIPALITY

PROJECT
NEW FIRE STATION FOR GARDENROUTE DISTRICT MUNICIPALITY
ERF 22494/22495
GEORGE

TITLE
CIVIL SERVICES SECTIONS & DETAILS

DHW No. **G5211BA-CE-003**

REV No **A**