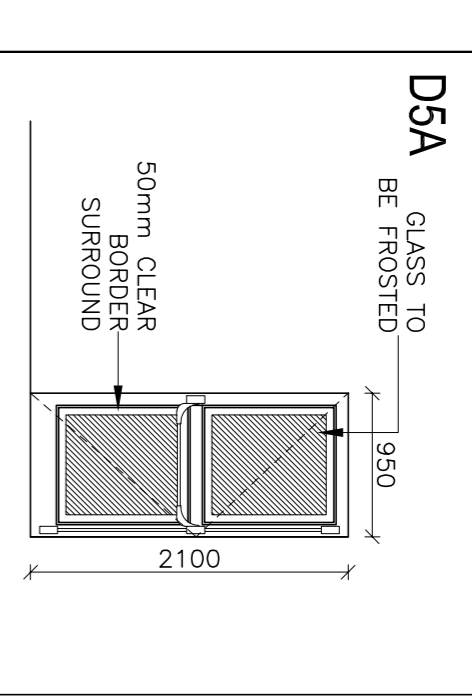


© COPYRIGHT  
THIS DRAWING AND DESIGN ARE CONFIDENTIAL AND THE PROPERTY OF KANTEY & TEMPLER AND SHALL NOT BE REPRODUCED OR TRANSMITTED IN ANY FORM OR BY ANY MEANS WITHOUT THE WRITTEN PERMISSION OF KANTEY & TEMPLER.

GENERAL NOTES  
 \* All materials and construction methods must comply with the National Building Regulations (act no.103 of 1977) including all amendments, as well as to all local authority regulations.  
 \* The design and construction shall be strictly in accordance with the relevant manufacturer's specifications, unless explicitly specified differently.  
 \* All dimensions must be verified on site.  
 \* All dimensions shall be pointed out to the engineer for correction or expansion prior to commencement of construction.  
 \* Never scale from this or any other drawing.



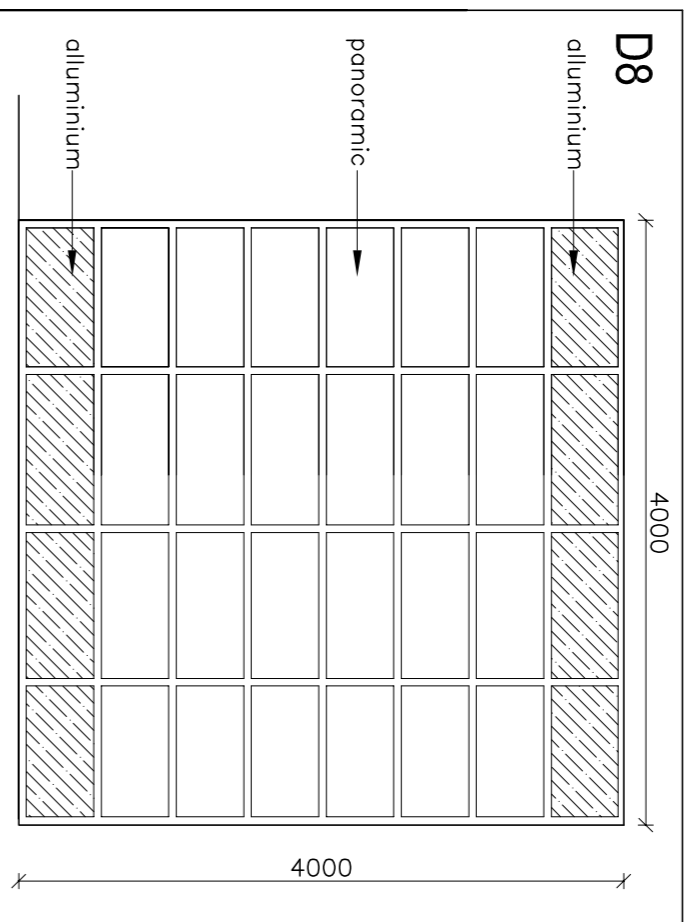
**D5A**  
GLASS TO BE FROSTED

**D5A**  
2032 x 950mm

Purpose made glass panel door, made up from WISPECO Clip 448 shopfront sections, 90mm styles & top + 150mm kickplate.  
 Natural anodised aluminium door frame, made up from WISPECO Clip 448 shopfront sections.  
 Powder coated Charcoal 543 (mat metallic) -ANP 9085

OS 2301 Cromked D stainless steel door lever handset on roses, OS 8535 stainless steel latch bolt & cylinder dead lock.  
 OS1104SN/GMKD gym stainless steel hinges, code OS4417BB.  
 x1 Set panic/emergency exit hardware PANIC BARS DOOR CLOSERS  
 6mm Laminated Safety glass, Frosted

All work to comply with A3 AAMMISA spec's.



**D8**  
4000 x 4000mm

Purpose made aluminium/Panoramic Sectional overhead door, including automation mechanism. All as per manufacturer's specifications.  
 n/a

Powder coated Red 543 (mat metallic) -ANP 9085

6mm Laminated Safety glass. Glazing to be done in accordance with manufacturer's specifications.  
 1 OFF

All work to comply with A3 AAMMISA spec's.

**DOOR SCHEDULE**

W1	W2	W3	W4	W5
WIN No. W1	W2	W3	W4	W5
SIZE 1200 x 1200mm	600 x 1800	600 x 600	600 x 600	3000 x 700mm
MATERIAL Standard anodised aluminium window frame as per WISPECO clip 44 or equal approved	Purpose made aluminium fixed window frame made up from WISPECO clip 448 shopfront sections.	Purpose made aluminium fixed window frame made up from WISPECO clip 448 shopfront sections.	Purpose made GMS fixed window frame made up from GMS sections.	3000 x 700mm GMS fixed window frame made up from GMS sections.
STYLE Top-Hung window sash hung on stainless steel friction stays.	Top-Hung window sash hung on stainless steel friction stays.	Top-Hung window sash hung on stainless steel friction stays.	n/a	n/a
COLOR Powder coated Charcoal 543 (mat metallic)	Powder coated Charcoal 543 (mat metallic)	Powder coated Charcoal 543 (mat metallic)	n/a	Powder coated Charcoal 543 (mat metallic)
GLAZING 6mm SolerVue glass factory glazed	6mm SolerVue glass factory glazed	6mm SolerVue Obscured glass factory glazed	6mm PVRAN S glass.	6mm PVRAN S glass.
QUANTITY 19 OFF	3 OFF	15 OFF	1 OFF	1 OFF
NOTE All work to comply with A3 AAMMISA spec's.	All work to comply with A3 AAMMISA spec's.	All work to comply with A3 AAMMISA spec's.	All work to comply with A3 AAMMISA spec's.	All work to comply with A3 AAMMISA spec's.

**WINDOW SCHEDULE**

W6	W7	W8	W9	W10	W11
WIN No. W6	W7	W8	W9	W10	W11
SIZE 600 x 300mm	1800 x 600mm	2000 x 1125mm	1200 x 1200mm	1200 x 600	1800 x 600
MATERIAL Standard anodised aluminium window frame as per WISPECO clip 44 or equal approved	Purpose made GMS fixed window frame made up from GMS sections.	Purpose made GMS fixed window frame made up from GMS sections.	Purpose made GMS fixed window frame made up from GMS sections.	Purpose made aluminium fixed window frame made up from WISPECO clip 448 shopfront sections.	Purpose made aluminium fixed window frame made up from WISPECO clip 448 shopfront sections.
STYLE Top-Hung window sash hung on stainless steel friction stays.	n/a	n/a	n/a	Top-Hung window sash hung on stainless steel friction stays.	Top-Hung window sash hung on stainless steel friction stays.
COLOR Powder coated Charcoal 543 (mat metallic)	Powder coated Charcoal 543 (mat metallic)	Powder coated Charcoal 543 (mat metallic)	Powder coated Charcoal 543 (mat metallic)	Powder coated Charcoal 543 (mat metallic)	Powder coated Charcoal 543 (mat metallic)
GLAZING 6mm SolerVue Obscuredglass factory glazed	6mm PVRAN S glass, Frosted	6mm PVRAN S glass.	6mm PVRAN S glass.	6mm SolerVue glass factory glazed	6mm SolerVue glass factory glazed
QUANTITY 4 OFF	3 OFF	1 OFF	1 OFF	1 OFF	2 OFF
NOTE All work to comply with A3 AAMMISA spec's.	All work to comply with A3 AAMMISA spec's.	All work to comply with A3 AAMMISA spec's.	All work to comply with A3 AAMMISA spec's.	All work to comply with A3 AAMMISA spec's.	All work to comply with A3 AAMMISA spec's.

NOTE: ALL SPECIFICATIONS TO BE CONFIRMED WITH SPECIALISTS INSTALLERS.

**DOOR SCHEDULE**

D1	D2	D3	D4	D5	D6	D7
DOOR No. D1	D2	D3	D4	D5	D6	D7
SIZE 2032 x 2330mm	2032 x 813mm	2032 x 813mm	2032 x 813mm	2032 x 813mm	2032 x 1600mm	2125 x 4000mm
STYLE Purpose made glass sliding door, made up from WISPECO Clip 448 shopfront sections, 90mm styles & top + 150mm kickplate.	Semi solid core flush panel door	Semi solid core flush panel door	Semi solid core flush panel door	Class A Fire door rating as per specialist.	Purpose made glass panel door, made up from WISPECO Clip 448 shopfront sections, 90mm styles & top + 150mm kickplate.	Purpose made aluminium Roller Shutter door, including push-pull operation and locking mechanism. All as per manufacturer's specifications.
FRAME Natural anodised aluminium door frame, made up from WISPECO Clip 448 shopfront sections.	70 x 70mm hardwood frame with 19mm quadrant surround.	70 x 70mm hardwood frame with 19mm quadrant surround.	70 x 70mm hardwood frame with 19mm quadrant surround.	Class A Fire door rating as per specialist.	Natural anodised aluminium door frame, made up from WISPECO clip 448 shopfront sections.	n/a
COLOR Powder coated Charcoal 543 (mat metallic)	Door & frame to be painted 2x coats primer and 2x final coats.	Door & frame to be painted 2x coats primer and 2x final coats.	Door & frame to be painted 2x coats primer and 2x final coats.	Door & frame to be painted 2x coats primer and 2x final coats.	Powder coated Charcoal 543 (mat metallic) -ANP 9085	Powder coated Charcoal 543 (mat metallic) -ANP 9085
IRONMONGERY OS Kiruna stainless steel door lever handset on 170x170mm backplate S/S with Cyl Cutout, OS 5757/1 stainless steel mortice latch lock & deadbolt. OS 1104SN/GMKD cylinder X1.5 pair OS 100X76mm stainless steel hinges, code OS4417BB. X1 Door stop domed S/steel OS4422.	OS Kiruna stainless steel door lever handset on 170x170mm backplate S/S with Cyl Cutout, OS 5757/1 stainless steel mortice latch lock & deadbolt. OS 1104SN/GMKD cylinder X1.5 pair OS 100X76mm stainless steel hinges, code OS4417BB. X1 Door stop domed S/steel OS4422.	OS Kiruna stainless steel door lever handset on 170x170mm backplate S/S with Cyl Cutout, OS 5757/1 stainless steel mortice latch lock & deadbolt. OS 1104SN/GMKD cylinder X1.5 pair OS 100X76mm stainless steel hinges, code OS4417BB. X1 Door stop domed S/steel OS4422.	OS Kiruna stainless steel door lever handset on 170x170mm backplate S/S with Cyl Cutout, OS 5757/1 stainless steel mortice latch lock & deadbolt. OS 1104SN/GMKD cylinder X1.5 pair OS 100X76mm stainless steel hinges, code OS4417BB. X1 Door stop domed S/steel OS4422.	OS Kiruna stainless steel door lever handset on 170x170mm backplate S/S with Cyl Cutout, OS 5757/1 stainless steel mortice latch lock & deadbolt. OS 1104SN/GMKD cylinder X1.5 pair OS 100X76mm stainless steel hinges, code OS4417BB. X1 Door stop domed S/steel OS4422.	OS 2301 Cromked D stainless steel door lever handset on roses, OS 8535 stainless steel latch bolt & cylinder dead lock. OS1104SN/GMKD gym stainless steel hinges, code OS4417BB. x2Panic OS 100X76mm stainless steel hinges, code OS4417BB.	n/a
GLAZING SolerVue PVB laminated safety glass. Coating density & strength rating to be specified. Frosted	n/a	n/a	n/a	n/a	6mm Laminated Safety glass, Frosted	6mm Laminated Safety glass, Frosted
QUANTITY 1 OFF	19 OFF	7 OFF	11 OFF	2 OFF	1 OFF	1 OFF
NOTE All work to comply with A3 AAMMISA spec's.	All work to comply with A3 AAMMISA spec's.	All work to comply with A3 AAMMISA spec's.	All work to comply with A3 AAMMISA spec's.	All work to comply with A3 AAMMISA spec's.	All work to comply with A3 AAMMISA spec's.	All work to comply with A3 AAMMISA spec's.

NOTE: ALL SPECIFICATIONS TO BE CONFIRMED WITH SPECIALISTS INSTALLERS.

No	DESCRIPTION	DRW	DATE	APP
A	ISSUE FOR TENDER	TH	30-03-22	NA



**KANTEY & TEMPLER**  
CONSULTING ENGINEERS  
Engineering Solutions Development

P O BOX 458 GEORGE SOUTH AFRICA 6520 TEL: +27 44 874 2177



CLIENT  
**Garden Route**  
DISTRICT MUNICIPALITY

PROJECT  
**NEW FIRE STATION FOR GARDENROUTE DISTRICT MUNICIPALITY**  
ERF 22494/22495  
GEORGE

TITLE  
**WINDOW & DOOR SCHEDULE**

DRW No. **G5211BA-ARC-006**

REV No **A**