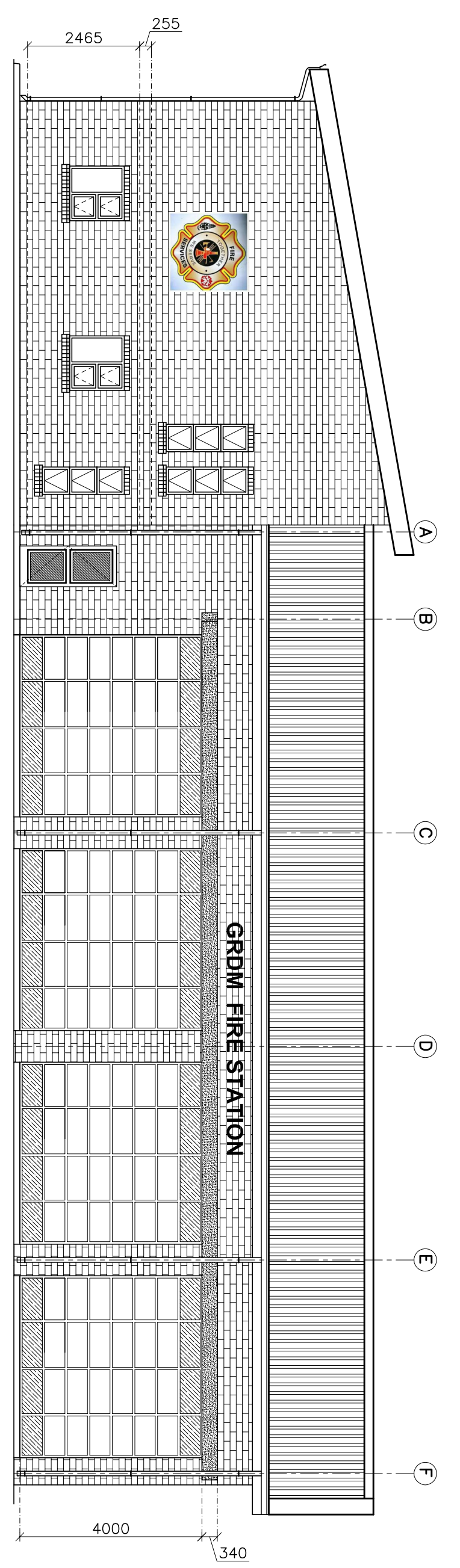


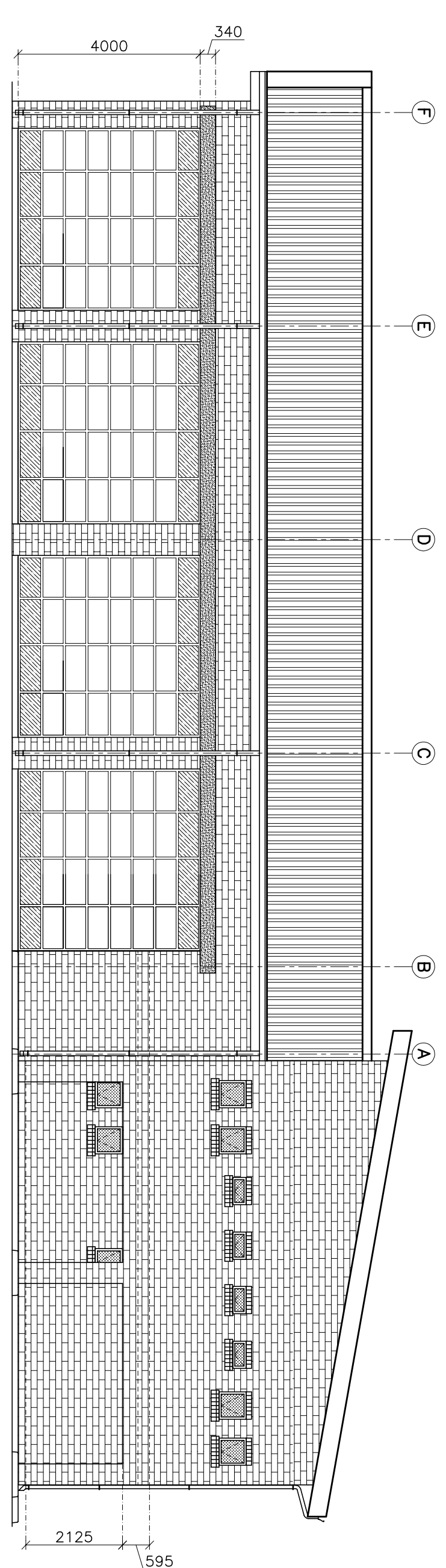
© COPYRIGHT
THIS DRAWING AND DESIGN ARE CONFIDENTIAL AND THE PROPERTY OF KANTEY & TEMPLER AND SHOULD BE PROTECTED AS PARTIAL, COPIED/REPRODUCED IN WHOLE OR IN PART WITHOUT THE WRITTEN PERMISSION OF KANTEY & TEMPLER.

- GENERAL NOTES
- All materials and construction methods must comply with the National Building Regulations (act no.103 of 1977) including all amendments, as well as to all local authority regulations, in finished and fixed strictly in accordance with the relevant manufacturer's specifications, unless explicitly specified differently.
 - All dimensions must be verified on site.
 - As the engineer for construction, I hereby certify that I have been appointed to the position of engineer for construction or expansion prior to commencement of construction.
 - Never scale from this or any other drawing.

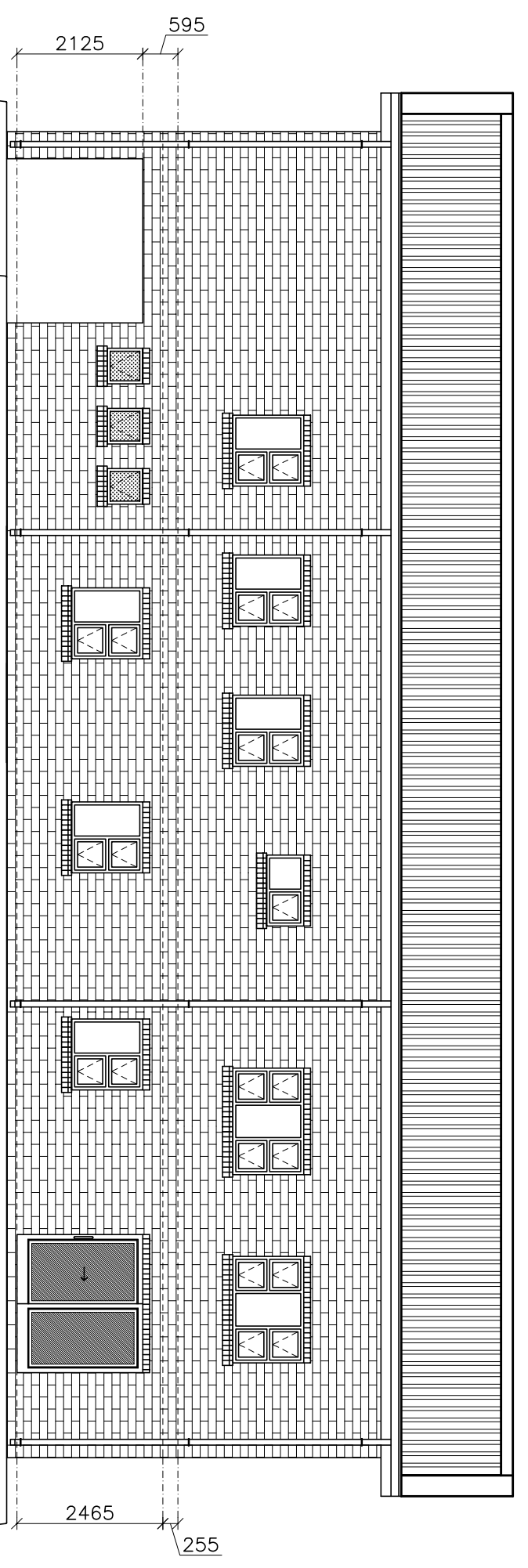
CONTROL SCHEDULE	
ADMIN / APPARATUS BAY	511.14m ² Ground Floor Area 233.39m ² Total Floor Area 744.53m ²
GROUND CREW BUILDING	131.04m ² Ground Floor Area
WASH BAY	57.00m ² Ground Floor Area
TOTAL GROUND FLOOR AREA	899.20m ²
SITE AREA	5975.13m ²
SITE COVERAGE	11.90%



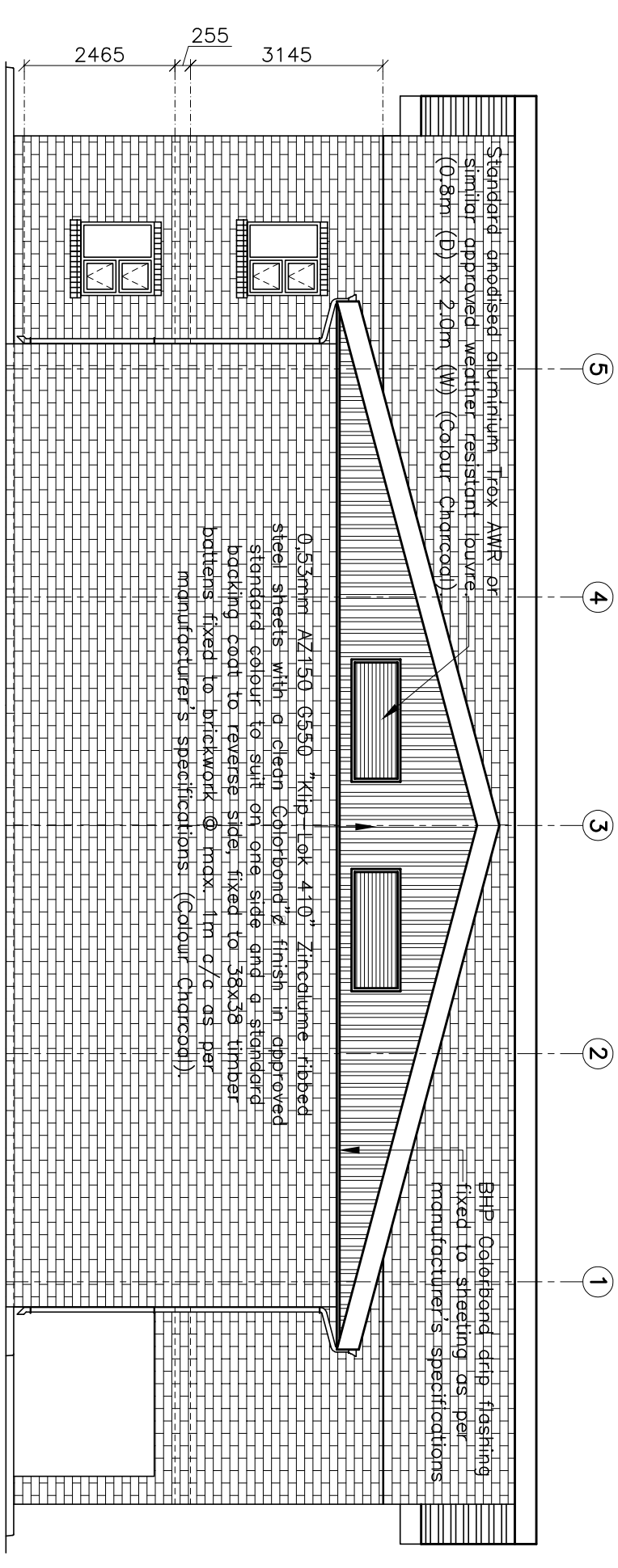
WEST ELEVATION - ADMIN / APPARATUS BAY
SCALE: 1 : 100



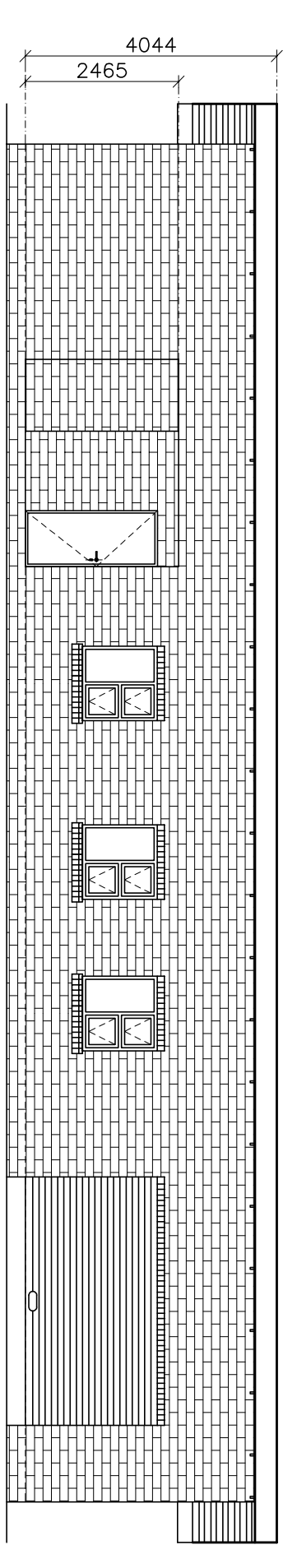
EAST ELEVATION - ADMIN / APPARATUS BAY
SCALE: 1 : 100



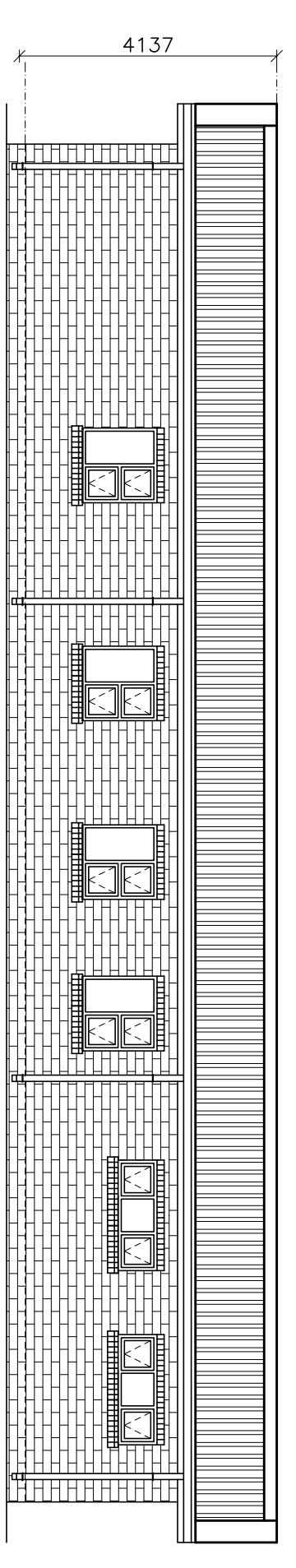
NORTH ELEVATION - ADMIN / APPARATUS BAY
SCALE: 1 : 100



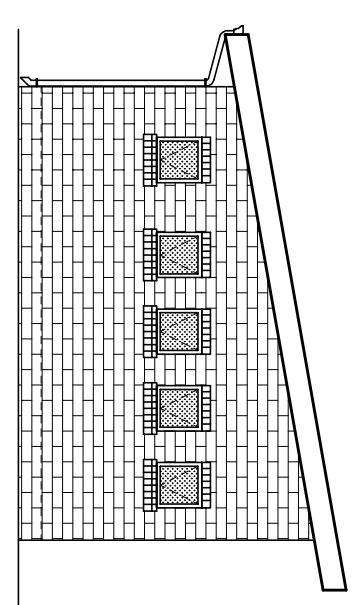
SOUTH ELEVATION - ADMIN / APPARATUS BAY
SCALE: 1 : 100



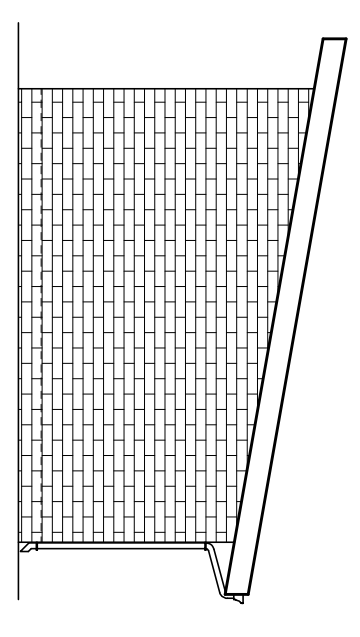
WEST ELEVATION - GROUND CREW
SCALE: 1 : 100



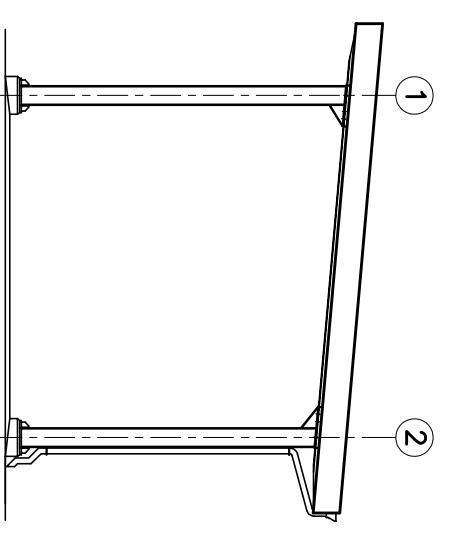
EAST ELEVATION - GROUND CREW
SCALE: 1 : 100



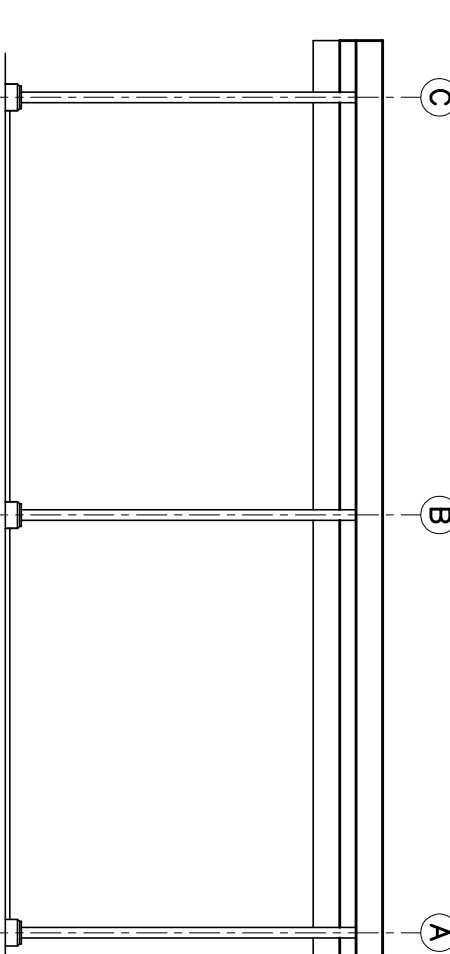
NORTH ELEVATION - GROUND CREW
SCALE: 1 : 100



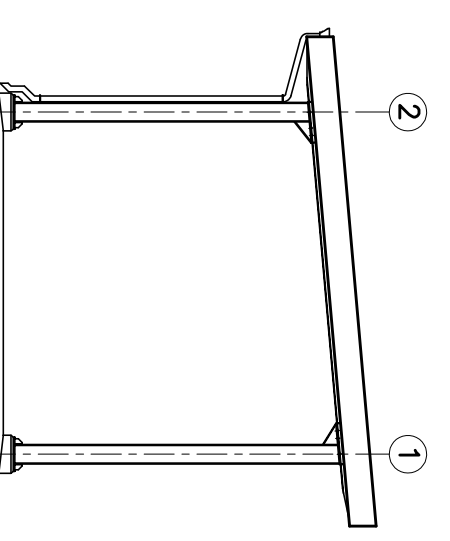
SOUTH ELEVATION - GROUND CREW
SCALE: 1 : 100



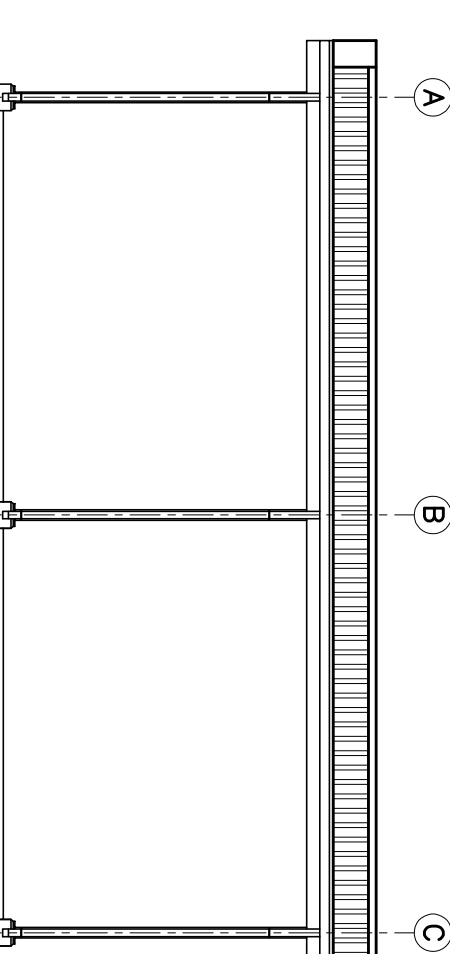
NORTH ELEVATION - GROUND CREW
SCALE: 1 : 100



EAST ELEVATION - GROUND CREW
SCALE: 1 : 100



SOUTH ELEVATION - GROUND CREW
SCALE: 1 : 100



WEST ELEVATION - GROUND CREW
SCALE: 1 : 100

No	DESCRIPTION	DRW	DATE	APP
A	ISSUE FOR TENDER	TH	30-03-22	NA
INITIALS	SIGN	DATE		
DESIGNED	T.H	30-Mar-22		
DRAWN	T.H	30-Mar-22		
PROJECT ENG.	C.G.A	30-Mar-22		
APPROVED	C.G.A	30-Mar-22		



KANTEY & TEMPLER
CONSULTING ENGINEERS
Engineering African Development
P O BOX 458 GEORGE SOUTH AFRICA 6520 TEL: +27 44 874 2177



CLIENT
Garden Route
DISTRICT MUNICIPALITY

PROJECT
NEW FIRE STATION FOR GARDENROUTE DISTRICT MUNICIPALITY
ERF 22494/22495
GEORGE

TITLE
BUILDING ELEVATIONS

DRW No. **G5211BA-ARC-003**

REV No **A**